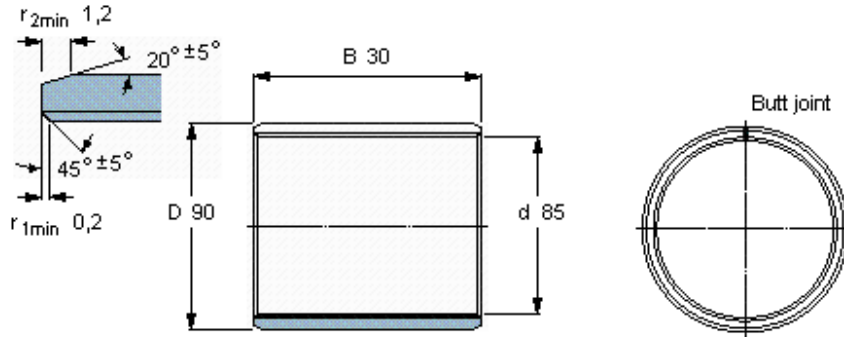


Composite dry sliding bushings, metric dimensions

| Principal dimensions | | | Basic load ratings | | Mass | Designation |
|----------------------|----|----|--------------------|--------------|------|--------------|
| d | D | B | dynamic C | static C0 | kg | - |
| mm | | | kN | | | |
| 85 | 90 | 30 | 196 | 610 | 0,15 | PCM 859030 E |



| | |
|-----------------------------|-----------|
| Specific load factor | K 80 |
| Material constant | K_M 480 |